

## CHAMPION SERIES HAMMERMILL

### Champion Series Hammermill Specifications

It's called the Champion for a reason. Champion series hammermills come in a wide range of sizes and specifications. And with more than 70 years of industry experience, CPM can match you with the one that best meets your needs.

Model	Dimension A	Dimension B	Dimension C
11.5x38	100.25"	57.25"	85"
15x38	100.25"	57.25"	90"
20x38	100.25"	57.25"	95"
30x38	100.25"	57.25"	110"
40x38	100.25"	57.25"	120"
48x38	100.25"	57.25"	130"
11.5x44	106.5"	67.25"	80"
15x44	106.5"	67.25"	85"
20x44	106.5"	67.25"	100"
30x44	106.5"	67.25"	110"
40x44	106.5"	67.25"	121"
48x44	106.5"	67.25"	129"
15x54	131.25"	79.25"	95"
20x54	131.25"	79.25"	105"
30x54	131.25"	79.25"	115"
40x54	131.25"	79.25"	125"



**ROSKAMP  
CHAMPION**

*Your Partner in Productivity*

### Built for performance. Built to last.

Designed for the most demanding applications, the heavy-duty Champion hammermill comes in a variety of sizes and models to match nearly any particle size reduction need.

Built to the highest standards in the industry, Champion hammermills include a heavy-duty base, a patented regrind chamber and sliding doors for full access during maintenance.

Roskamp Champion delivers the best value package available, period. Make Champion hammermills your partner in productivity.



Champion 40x44

### Roskamp Champion's Strategic Advantage

The ability to deliver to the customer the best "Value Package."

In other words, in the long-term, when all things are considered we offer customers equipment and services that represent the lowest operating cost solution.



**ROSKAMP  
CHAMPION**

*Your Partner in Productivity*

**CPM/Roskamp Champion**  
2975 Airline Circle  
Waterloo, IA 50703  
(319) 232-8444  
(800) 366-2563  
fax: (319) 236-0481  
sales@cpmroskamp.com

**CPM/Europe BV**  
Distelweg 89  
1031 HD Amsterdam  
Netherlands  
Tel (31) 20 494 61 11  
Fax (31) 20 636 42 94  
info@cpmeurope.nl

**CPM/Pacific Private Ltd.**  
17 Liu Fang Road  
Singapore 2262  
Republic of Singapore  
Tel 65-62650701  
Fax 65-62686428  
cus.svc@cpmasia.com

**CPM Machinery**  
(Wuxi) Co.Ltd.  
10 Xin Du Road  
Jiangsu, China 214028  
Tel 86 0510 8528 0487  
Fax 86 0510 8528 2429  
cus.wx@cpmasia.com

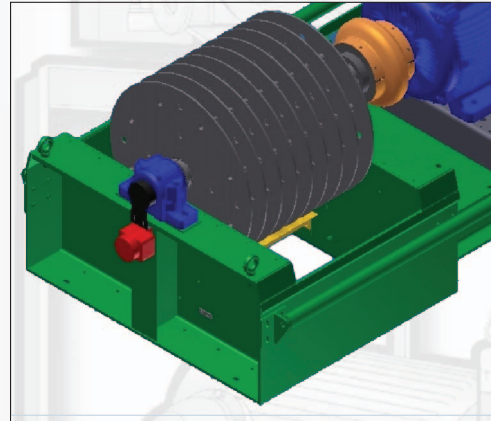
# Champion Series Hammermill Specifications

## Machine Base— Quality from the Ground Up

- Mill base is manufactured from 1/2" carbon steel.
- Maintains strict power train alignment and provides efficient energy transfer.
- Bearing supports fabricated from 3/4" carbon steel.

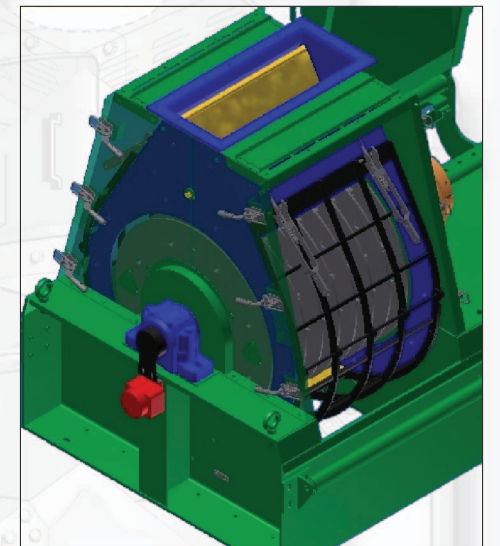
## Rotor and Bearings

- Dual position rotor with coarse and fine hammer positions.
- Dynamically balanced using the latest technology—two grades higher than industry standard.
- Rotor shaft machined from high-strength alloy steel.
- Pillow block bearings support both ends of the rotor, maintaining positive rotor position.
- Bearing temperature probes are standard for safe and efficient operation.



## Grinding Chamber

- Feed inlet runs the full width of the machine, providing even feeding and efficient operation in either rotation.
- Bi-directional flow director and wear liners are fabricated from abrasion-resistant plate steel for maximum life.
- Air swept design reduces dead air space in the housing for more efficient air flow.
- Patented regrind chamber increases efficiency and capacity by preventing material from rotating within the grinding chamber.
- Hammers are laser cut and heat treated for consistency and maximum durability. Rugged tungsten carbide hardface matrix ensures long hammer life.
- Hammer sets are balanced for optimum performance and easy installation.



## Standard Features

- State-of-the-art trapped key interlock system
- Safety labels and manuals in any language
- Fully adjustable vibration safety switch
- Motor coupling and guard
- Bearing temperature probe
- All standard features included at no additional charge

## Housing and Doors

- Sliding door design minimizes floor space while providing full access to the grinding chamber for easy maintenance.
- Easily replaceable AR235 wear liners assure complete sealing of grind chamber while extending the life of the housing.
- Doors secured with heavy-duty, over-center clamps.



**“CPM has the best all-around equipment. They’ve stood the test of time.”**

—Richard Morrison, Feed Mill Manager  
Koch Foods Inc., Morton, MS

Model	Screen Area (in <sup>2</sup> )	RPM	Tip Speeds (ft/min)	Rotor Diameter (inches)	HP Range	Aspiration Requirements (CFM)
11.5x38	1,242	1800/1500	17898/14915	38	60-100	1553 - 1863
15x38	1,620	1800/1500	17898/14915	38	75-125	2025 - 2430
20x38	2,160	1800/1500	17898/14915	38	100-150	2700 - 3240
30x38	3,240	1800/1500	17898/14915	38	150-200	4050 - 4860
40x38	4,320	1800/1500	17898/14915	38	200-300	5400 - 6480
48x38	5,148	1800/1500	17898/14915	38	300-350	6480 - 7722
11.5x44	1,380	1800/1500	20730/17275	44	60-100	1725 - 2588
15x44	1,800	1800/1500	20730/17275	44	100-150	2250 - 2700
20x44	2,400	1800/1500	20730/17275	44	125-200	3000 - 3600
30x44	3,600	1800/1500	20730/17275	44	200-300	4500 - 5400
40x44	4,800	1800/1500	20730/17275	44	250-350	6000 - 7200
48x44	5,760	1800/1500	20730/17275	44	300-450	7200 - 8640
15x54	2,220	1500	21201	54	100-200	2775 - 3330
20x54	2,960	1500	21201	54	150-250	3700 - 4440
30x54	4,440	1500	21201	54	200-300	5550 - 6660
40x54	5,920	1500	21201	54	300-450	7400 - 8880

